

EXHC000G

EX-PROOF HOUSING FOR THERMAL CAMERAS



MAIN FEATURES

Certifications Ex d for use in Zone 1 and 2, Group IIC (Gas), and in Zone Ex tb 21 and 22 (Dust)

Solid anticorrosive aluminium construction

Epoxy polyester powder painting, RAL7032 color

Germanium window

IP66

2 holes for cable glands 3/4" NPT

Supplied with heater. Sunshield as option.

Ambient temperature: from -20°C (-4°F) up to +50°C (122°F)

DESCRIPTION

The EXHC000G housing is made with strong anticorrosive aluminium die-cast alloy of the AISi 7Mg EN - AB 42000 group.

The germanium viewing window is designed for thermal imaging camera installations. Its composition with the remarkable properties covers transmission from 7.5 to 14µm IR range with the best optical quality. All external components are stove enamelled.

The cylindrical body of the housing (210mm diameter and 400mm length) is closed on opposite sides by two 12mm thick flanges. The Germanium window, 12mm thick, offers a viewing window of 114mm diameter. The housing is supplied with two holes for the 3/4" NPT cable glands. The camera housing is equipped with an internal housing heater and an optional sunshield.



HOUSING EXHC000G + SUNSHIELD EXHS000 + BRACKET EXWBJ

TECHNICAL DATA

GENERAL

Non-corrosive die-cast aluminium (anticorrosive)
Epoxy powder painted with orange peel effect, RAL7032

MECHANICAL

2 inputs 3/4" NPT for cable glands
External dimensions: 210x427.5mm (8.3x16.8in)
Internal dimensions: 180x380mm (7.1x15in)
Internal usable area: 100x100x280mm (3.9x3.9x11in)
Unit weight: 15kg (33.5lb)

HOUSING'S WINDOW

Germanium window

- Usable diameter: 114mm (4.5in)
- Thick: 12mm (0.47in)
- External treatment: antiscratch (Hard Carbon Coating - DLC), antireflection
- Internal treatment: antireflection
- Spectral range: from 7.5µm up to 14µm
- Medium transmittance (from 7.5µm up to 11.5µm): 86.6%
- Medium transmittance (from 11.5µm up to 14µm): 67.8%

ELECTRICAL

Power supply IN 24Vac, 50/60Hz
Heater Ton 10°C±4°C (50°F±7°F) Toff 25°C±3°C (77°F±5°F)

- IN 24Vac, power consumption 20W max

Devices to install inside the housing:

- Camera equipped with lens with max total power of 20W
- Voltage 24Vac max
- Useful volume for camera / lens: 2800cm³
- Minimum distance between the walls of the housing and the camera/lens: 12mm

ENVIRONMENT

For installation indoors and outdoors
Operating temperature with heating: from -20°C (-4°F) up to +50°C (122°F)
Always refer to the temperature in the marking.

CERTIFICATIONS

ATEX (EN 60079-0:2012 +A11:2013, EN 60079-1:2014, EN 60079-31:2014):

- Ex II 2G Ex d IIC T6 Gb
- Ex II 2D Ex t IIIC T85 °C Db IP66

EAC EX:

- Ex II 2G Ex d IIC T6 Gb, -20°C/+50°C
- Ex II 2D Ex t IIIC T85°C Db -20°C/+50°C, IP66

ACCESSORIES

EXHS000	Sunshield 580mm (22.8in) for EXH series
OCTEX3/4C	Cable gland with gasket EX 3/4" NPT, unarmoured cable IECEX-ATEX-EAC Ex
OCTEXA3/4C	Cable gland in nickel-plated brass with gasket EX 3/4" NPT, armoured cable IECEX-ATEX-EAC Ex
OCTEXB3/4C	Barrier cable gland in nickel-plated brass 3/4" NPT, unarmoured cable IECEX-ATEX-EAC Ex
OCTEXBA3/4C	Barrier cable gland in nickel-plated brass 3/4" NPT, armoured cable IECEX-ATEX-EAC Ex
OCTEX3/4	Cable gland in nickel-plated brass with gasket EX 3/4" NPT, unarmoured cable ATEX
OCTEXA3/4	Cable gland in nickel-plated brass with gasket EX 3/4" NPT, armoured cable ATEX
OCTEXB1/2C	Barrier cable gland in nickel-plated brass EX 1/2" NPT, unarmoured cable IECEX-ATEX-EAC Ex
OCTEX1/2C	Cable gland in nickel-plated brass EX 1/2" NPT, unarmoured cable IECEX-ATEX-EAC Ex, with gasket from 3 to 8mm (0.12 to 0.31in)
OCTEXS1/2C	Cable gland in nickel-plated brass EX 1/2" NPT, unarmoured cable IECEX-ATEX-EAC Ex, with gasket from 7.5 to 11.9mm (3 to 4.7in)
OCTEXA1/2C	Cable gland in nickel-plated brass EX 1/2" NPT armoured cable IECEX-ATEX-EAC Ex, with gasket
OCTEX1/2-3/4C	Cable glands reduction in nickel-plated brass 3/4" - 1/2" NPT IECEX-ATEX-EAC Ex
OCTEXP3/4C	Conduit cable gland nickel-plated brass 3/4" NPT IECEX-ATEX- c CSA us - EAC Ex (operating temperature: from -60°C (-76°F) up to +80°C (+176°F))
OEXPLUG3/4	Plug EX 3/4" NPT IECEX-ATEX-EAC Ex

SPARE PARTS

OSLIEX Internal slide complete with heater for EXHC and EXPTEC series

BRACKETS AND ADAPTORS

EXWBJ000 Bracket and ball joint RAL7032 for EXH series
EXBJ000 Only ball joint for EXH RAL7032 housings

PACKAGE

Model Number	Weight	Dimensions (WxHxL)	Master carton
EXHC000G	17.5kg (39lb)	61x32x31 cm (24x12.6x12.2in)	-

1/2" NPT CABLE GLAND SELECTION GUIDE

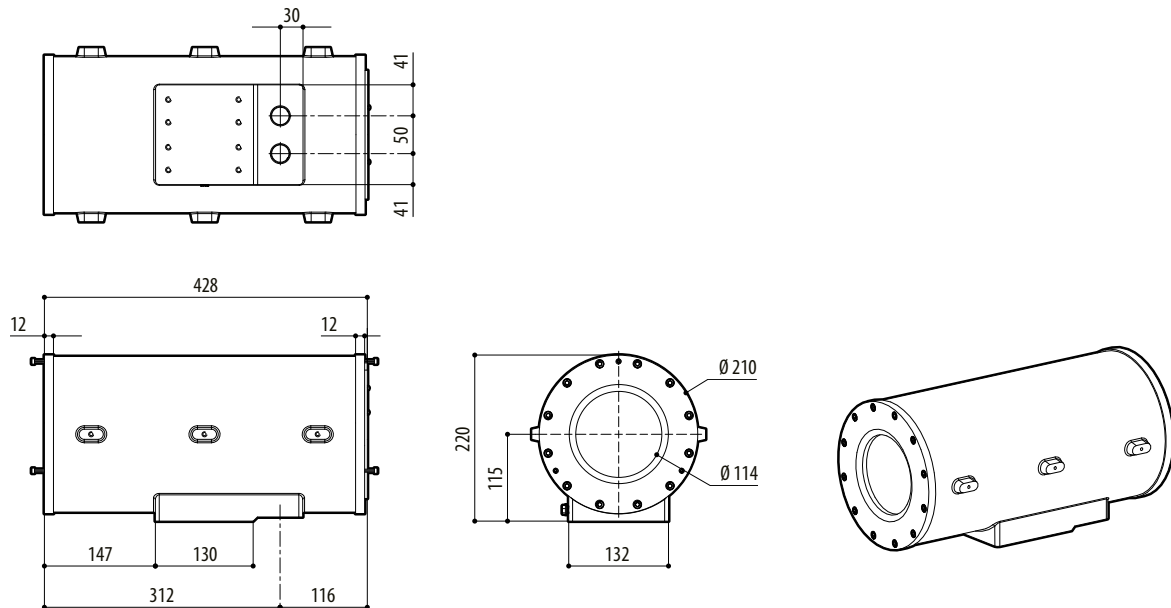
Cable gland type	Certification	Operating temperature	Cable	Cable glands product code	Diameter of the external cable (mm)	Under armor cable diameter (mm)
Barrier	IECEX/ATEX/EAC Ex	-60°C / +80°C (-76°F / +176°F)	Not armoured	OCTEXB1/2C	3 - 8	–
With gasket	IECEX/ATEX/EAC Ex	-60°C / +100°C (-76°F / +212°F)	Not armoured	OCTEX1/2C	3 - 8	–
			Not armoured	OCTEXS1/2C	7.5 - 11.9	–
			Armoured	OCTEXA1/2C	12.5 - 20.5	8.4 - 14.3

3/4" NPT CABLE GLAND SELECTION GUIDE

Cable gland type	Certification	Operating temperature	Cable	Cable glands product code	Diameter of the external cable (mm)	Under armor cable diameter (mm)
Barrier	IECEX/ATEX/EAC Ex	-60°C / +80°C (-76°F / +176°F)	Not armoured	OCTEXB3/4C	13 - 20.2	–
			Armoured	OCTEXBA3/4C	16.9 - 26	–
With gasket	IECEX/ATEX/EAC Ex	-60°C / +100°C (-76°F / +212°F)	Not armoured	OCTEX3/4C	13 - 20.2	–
			Armoured	OCTEXA3/4C	16.9 - 26	11.1 - 19.7
	ATEX	-20°C / +80°C (-4°F / +176°F)	Not armoured	OCTEX3/4	14 - 17	–
			Armoured	OCTEXA3/4	18 - 23	14 - 17

TECHNICAL DRAWINGS

The dimensions of the drawings are in millimetres.



EXHC000G